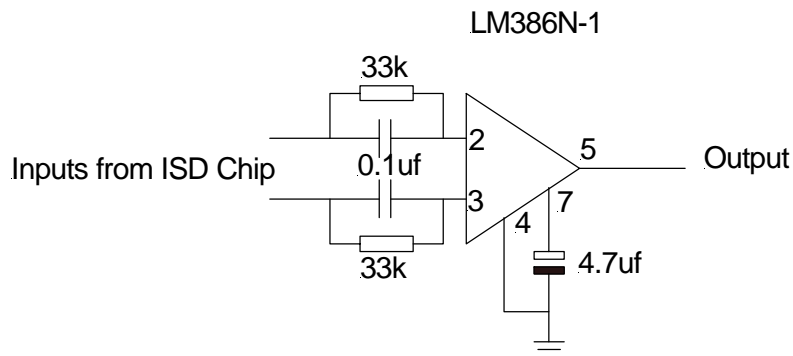


"Pop" fix for the 1-480 Sound Card

This note explains how to reduce to on/off speaker "pop" when using the 1-480 sound card. Many thanks to Stuart Stevenson for this mod.

Add the following components to the circuitry around the LM386N-1:



The new components are:

2 by 33k resistors wired across the existing 0.1uf input capacitors
a 4.7 uf electrolytic capacitor from pin 7 (currently un-used) to ground.

All other circuitry remains as is.