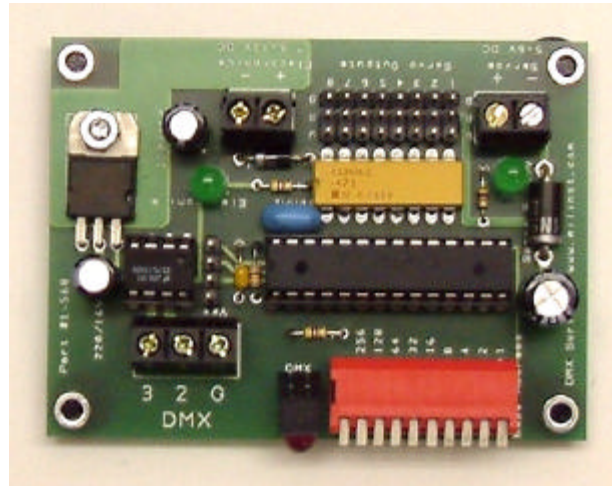


## DMX- 8 Channel Servo Driver Board, Part # 1-568



The DMX 8- Channel Servo Driver board is designed to provide 8 consecutive channels of standard RC Servo output pulses from a DMX control signal.

### **DMX Bus connection:**

Three way terminal block

Data + = 3

Data - = 2

Screen = G

### **DMX Fault LED:**

Lit for a valid DMX signal- rapid flashes when no DMX signal is present

### **Address Selection:**

The base address may be set between 1 and 504 using the piano switches

### **Power Supplies:**

2 x 2 way terminal blocks with power indicator LEDs

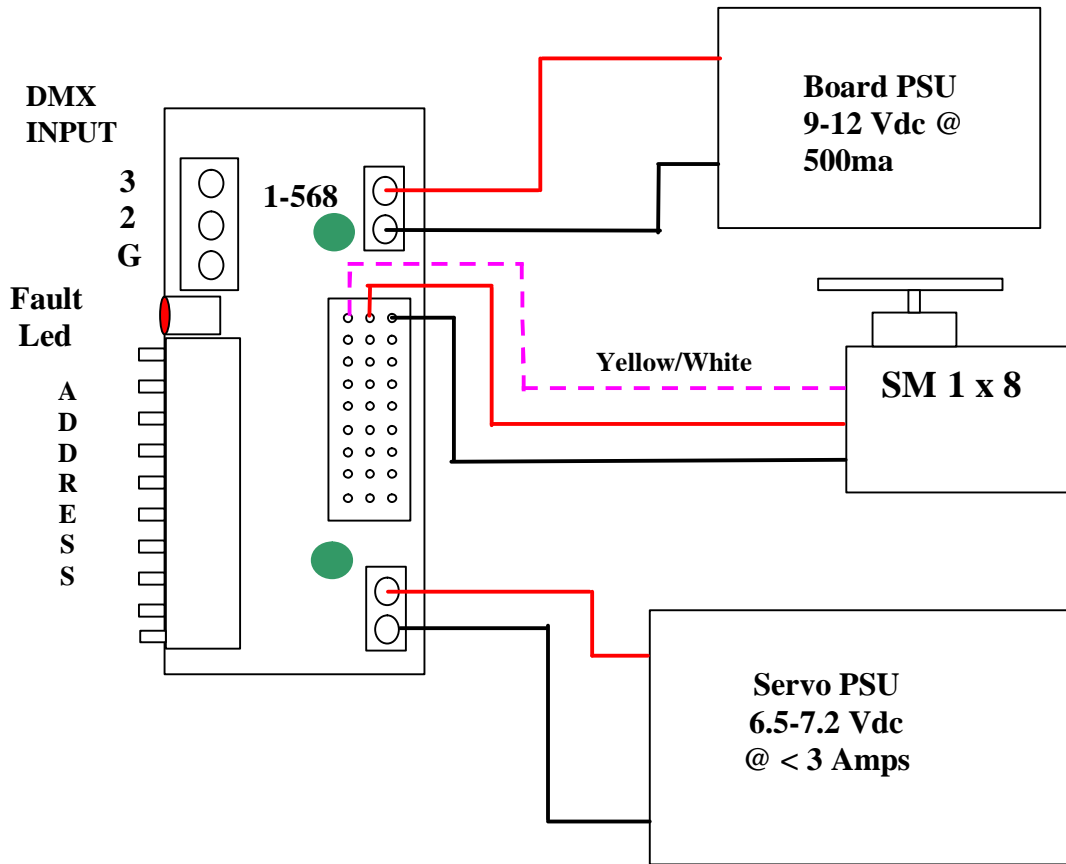
Board Electronics 9 to 12Vdc @ 500ma

Servo Motors 6.5 to 7.2 Vdc @ < 3 Amps

### **Servo Connections:**

8 x 3 way header pins @ 0.1 pitch with 1K0 series resistors.

**Connection Details:**



**Dimensions:**

Hole size 3 mm x 72mm x 51mm between centres PCB 79 mm W x 59 mm D x 20mm H

